

ASIA PACIFIC

E-mail: support.jp@taotronics.com(JP)
Tel: 03-5542-0238 (10~18時/土日祝除く)
JP Importer: 株式会社SUNVALLEY JAPAN
Address: 〒104-0032東京都中央区八丁堀 3 丁目18-6 PMO京橋東 9F

EUROPE

E-mail:
support.uk@taotronics.com(UK)
support.de@taotronics.com(DE)
support.fr@taotronics.com(FR)
support.es@taotronics.com(ES)
support.it@taotronics.com(IT)
EU Importer: ZBT International Trading GmbH
Address: Halstenbeker Weg 98C, 25462 Rellingen, Deutschland

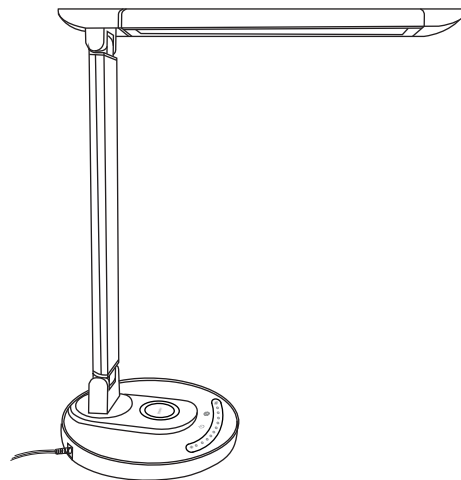
NORTH AMERICA

E-mail : support@taotronics.com(US)
support.ca@taotronics.com(CA)
Tel : 1-888-456-8468 (Monday-Friday: 9:00 - 17:00 PST)
US Distributor: SUNVALLEYTEK INTERNATIONAL INC.
Address: 46724 Lakeview Blvd, Fremont, CA 94538

MANUFACTURER

Shenzhen NearbyExpress Technology Development Co., Ltd.
Address: 333 Bulong Road, Shenzhen, China, 518129

Learn more about the EU Declaration of Conformity:
<https://www.taotronics.com/downloads-TT-DL043-CE-Cert.html>



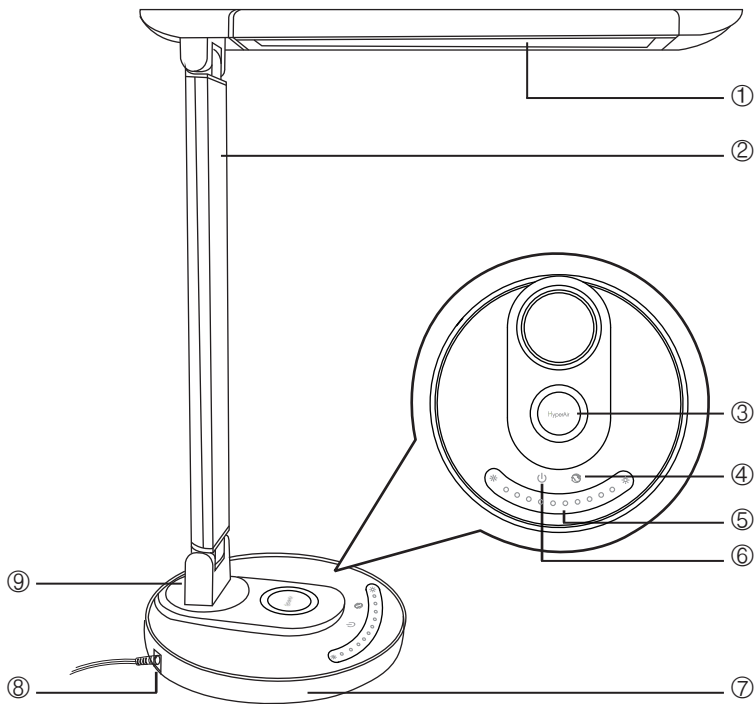
MODEL: TT-DL043

LED DESK LAMP

User Guide

CONTENTS

English	01/02
Deutsch	03/04
Français	05/06
Español	07/08
Italiano	09/10
日本語	11/12



EN

Product Diagram

- ① Lamp Head
- ② Lamp Arm
- ③ Wireless Charger
- ④ Mode Button
- ⑤ Brightness Slider
- ⑥ Power Button
- ⑦ Lamp Base
- ⑧ Power Adapter Connector
- ⑨ USB Charging Port

DE

Produktabbildung

- ① Lampenkopf
- ② Lampenarm
- ③ Qi Ladegerät
- ④ Modus-Taste
- ⑤ Helligkeitsregler
- ⑥ Einschaltknopf
- ⑦ Basis
- ⑧ Stromkabel
- ⑨ USB-Ladebuchse

FR

Description du Produit

- ① Tête de la Lampe
- ② Bras de la Lampe
- ③ Chargeur Sans-fil
- ④ Bouton Mode
- ⑤ Curseur de Luminosité
- ⑥ Interrupteur
- ⑦ Base de la Lampe
- ⑧ Port d'Alimentation
- ⑨ Port de Charge USB

ES

Diagrama del Producto

- ① Cabeza de Lámpara
- ② Brazo de Lámpara
- ③ Cargador Inalámbrico
- ④ Botón de Modos
- ⑤ Control Deslizante de Brillo
- ⑥ Botón de Encendido
- ⑦ Base de Lámpara
- ⑧ Conector del Adaptador de Corriente
- ⑨ Puerto de Carga USB

IT

Schema del Prodotto

- ① Testa della Lampada
- ② Braccio della Lampada
- ③ Caricabatterie Wireless
- ④ Pulsante Modalità
- ⑤ Cursore Luminosità
- ⑥ Pulsante di Accensione
- ⑦ Base della Lampada
- ⑧ Connettore per Adattatore di Alimentazione
- ⑨ Porta di Ricarica USB

JP

製品図

- ① ライトヘッド
- ② ライトアーム
- ③ ワイヤレス充電
- ④ モードボタン
- ⑤ タッチコントロールパネル
- ⑥ 電源ボタン
- ⑦ ライトベース
- ⑧ 電源アダプターポート
- ⑨ USB充電ポート

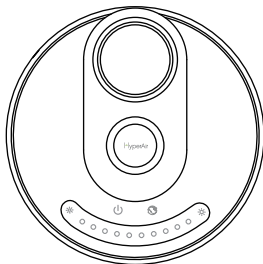
同梱物

- ・ TaoTronics LEDデスクライト (TT-DL043)
- ・ 電源アダプター

仕様

モデル	TT-DL043
光源	LED
CRI	>80
動作電圧	DC 12V / 3A
パワー(ライトのみ)	12W
USB出力	5W
ワイヤレス充電器出力	10W Max
ルーメン	410 lm
色温度	2700-6000K
動作温度	-10 °C to 40 °C / - 14 °F to 104 °F
寿命	50,000時間

使い方



電源オン/オフ

- ・ アダプターをコンセントに接続すると、ライトがスタンバイモードに入り、すべてのインジケータが2回点滅します
- ・ 電源ボタンをタップしてライトをオン/オフします

明るさコントロール

タッチコントロールパネルに沿って指をスライドさせて明るさを調整します

色温度コントロール

モードボタンをタップすると、5つのレベルの色温度に変えることができます

メモリ機能

ライトは、消灯前の色温度と明るさの設定で再開します。
注:点灯時に眩しくないように、暗めの設定で消灯することをおすすめします。

USBポート

5V / 1A USBポートからスマートフォン、タブレットなどのUSBデバイスを充電できます。

ワイヤレス充電器

Qi-BPP(Qi Baseline Power Profile)、Qi-EPP規格と互換性を備えたデバイスをワイヤレス充電スタンドに設置すると、自動的に充電が開始されます。

注意:

- ・ 充電が行われない場合は、検出されるようにスマホを調整してください。デバイスは、それぞれ異なる位置に受信機を持っています。
- ・ iOS 11.2及び以上のiPhone X / 8 Plus / 8は本製品を使用すれば、通常ワイヤレス(7.5W)充電が可能になります。Samsung Galaxy/Google Nexus/Microsoft Lumia機種を急速充電(10W)することができます。

注意

- ・ ライトヘッドの角度を調整するときは、ライトベースを持ってください。
- ・ ライトヘッドを適切な角度範囲内で回転させてください。製品に損傷を与えないように、無理な力を加えて引っ張らないでください。

This device complies with part 18 of the FCC Rules. Operation is subject to the following two conditions: (1) This device may not cause harmful interference, and (2) this device must accept any interference received, including interference that may cause undesired operation.

CAUTION

Changes or modifications not expressly approved by the party responsible for compliance could void the user's authority to operate the equipment.

NOTE:

This product has been tested and found to comply with the limits for Quick wireless charger, pursuant to Part 18 of the FCC Rules.

This product can radiate radio frequency energy, which could cause interference to such products as radio, TV, baby monitor, cordless phone, Bluetooth, wireless router, etc., which can be confirmed by turning this product off and on. If present, the user is encouraged to try to correct by taking one or more of the following countermeasures:

- (1) Increase the spacing distance between the Quick wireless charger and other product receiving the interference.
- (2) If possible, use a properly installed receiver antenna and/or reorient the receiving antenna of the other product receiving the interference.
- (3) Plug the Quick wireless charger into a different outlet from the other product receiving the interference.
- (4) This equipment complies with FCC radiation exposure limits set forth for an uncontrolled environment. This equipment should be installed and operated with minimum distance of 20cm between the radiator & your body.

FCC Compliance

This device complies with Part 15 & 18 of the FCC Rules. Operation is subject to the following two conditions:

- (1) This device may not cause harmful interference, and (2) This device must accept any interference received, including interference that may cause undesired operation.

WEEE Compliance

Correct Disposal of This Product (Waste Electrical & Electronic Equipment)

(Applicable in countries with separate collection systems)

This marking on the product, accessories or literature indicates that the product and its electronic accessories should not be disposed of with other household waste at the end of their working life. To prevent possible harm to the environment or human health from uncontrolled waste disposal, please separate these items from other types of waste and recycle them responsibly to promote the sustainable reuse of material resources. Household users should contact either the retailer where they purchased this product, or their local government office, for details of where and how they can take these items for environmentally safe recycling. Business users should contact their supplier and check the terms and conditions of the purchase contract. This product and its electronic accessories should not be mixed with other commercial wastes for disposal.